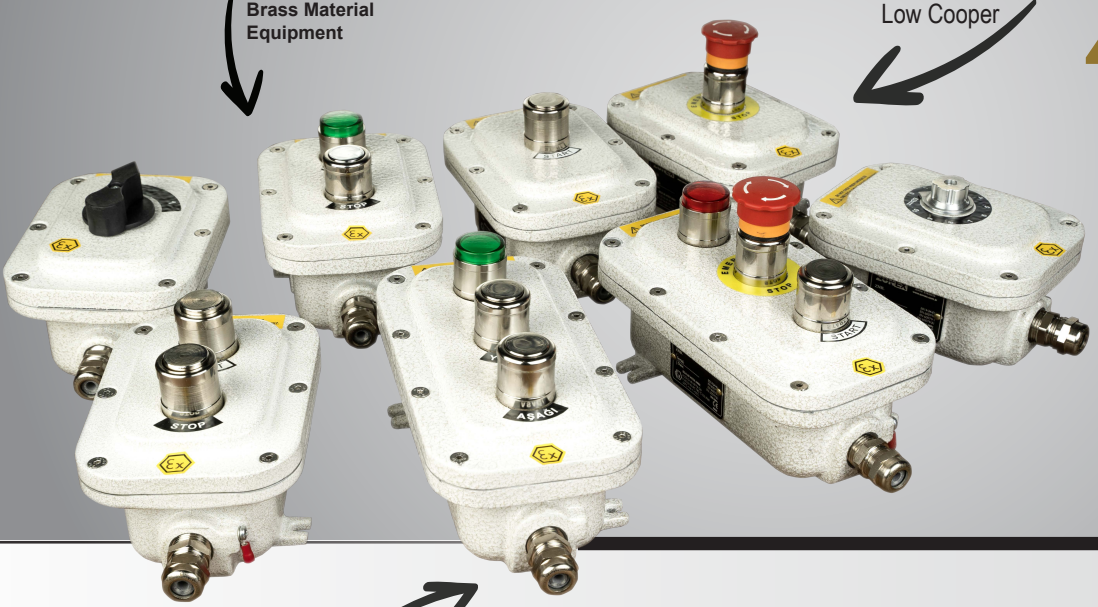


Brass Material
Equipment

Aluminium Body
Low Cooper

ZNB.CE

- Emergency Button _____
- Start/Stop Button _____
- Signal Lamp _____
- Switch _____
- Potentiometer _____



2x 1/2"
Cable entries



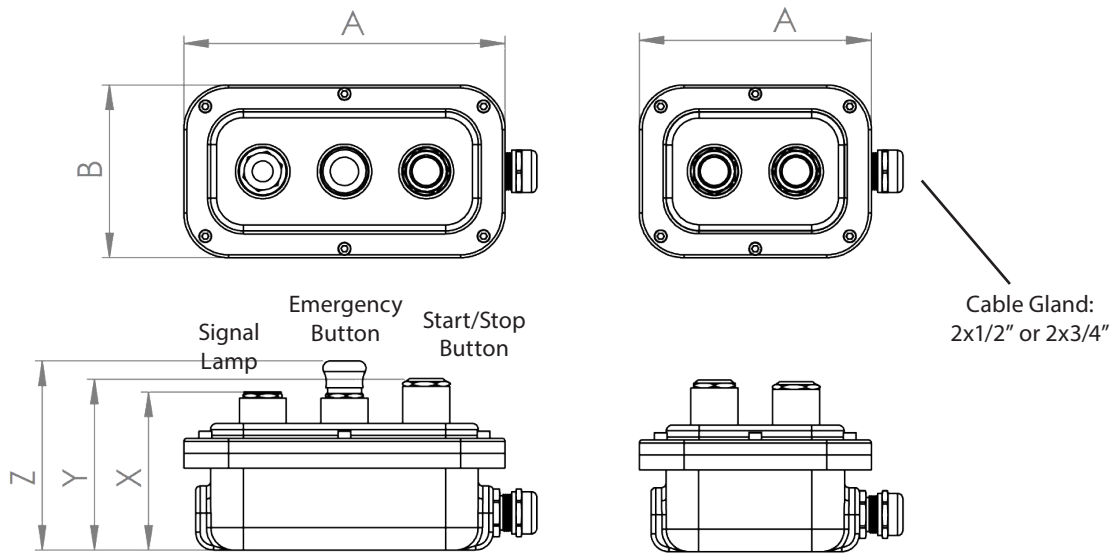
ZONE 1-2 / 21-22

IP 65

$-25\text{ }^{\circ}\text{C} < T_a < +55\text{ }^{\circ}\text{C}$

Product	Aluminium Body Control Boxes
Certification	SCA 20 ATEX 068X
Marking	II 2G Ex db IIB T6 Gb II 2D Ex tb IIIC T85°C Db
IP	IP 65
Ambiant Temp.	-25 °C up to +55 °C
Standarts	EN60079-0: 2018; EN60079-1: 2014; EN60079-31: 2014
Cable Entries	2X1/2" or 2x3/4"
Body	Low Cooper Aluminium Alloy
Gaskets	NBR o-ring on Body
Paint	Electrostatic Powder Coat
Rated Voltage	24-220V
Frequency	50/60 Hz
Application	Oil refineries, Chemical and petrochemical plants, Boiler rooms etc.

DIMENSIONAL DRAWING



	External		Equipments			Information
	A	B	x	y	z	
ZNB-CE2.ST	156	118				Start Button
ZNB-CE2.SP	156	118				Stop Button
ZNB-CE2.ES	156	118				Emergency Button
ZNB-CE2.STP	156	118				Start + Stop Buttons
ZNB-CE2.SSG	156	118	105	115	127	Start/Stop + Signal Lamp
ZNB-CE2.SES	156	118				Start/Stop + Emergency
ZNB-CE3A	216	118				Start + Stop + Emergency
ZNB-CE3B	216	118				Start + Stop + Signal Lamp

ZNB-CE

See Information
Columns

