



ZNB.X

Protection
Circuit Breaker



ZONE 1-2 / 21-22

IP 65-66

$-20\text{ }^{\circ}\text{C} < T_a < +55\text{ }^{\circ}\text{C}$

Product

Aluminium Body Junction Boxes

Certification

SCA 20 ATEX 068 X

Marking

II 2G Ex db IIB+H₂ T6 Gb

II 2D Ex tb IIIC T85°C Db

IP

IP 65-66

Ambiant Temp.

-20 °C up to +55 °C

Standarts

EN60079-0: 2018; EN60079-1: 2014; EN60079-31: 2014

Cable Entries

2x3/4 - 2x1/2 Npt.

Body

Low Cooper Aluminium Alloy

Gaskets

NBR o-ring on Body

Paint

Electrostatic Powder Coat

Rated Voltage

220-380V

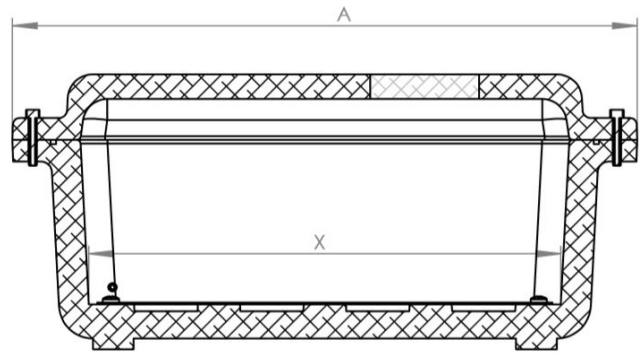
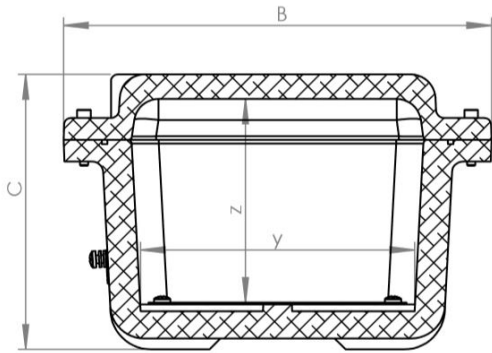
Frequency

50-60 Hz

Application

Oil refineries, Chemical and petrochemical plants, Boiler rooms etc.

DIMENSIONAL DRAWING



	External			Internal			Plate
	A	B	C	x	y	z	
ZNB-2	275	200	143	200	123	104	190x113



0,25-4A
0,63-1A
1-1.6A
1,6-2,5A
2,5-4A
4-6 A
6-10 A