

# ZNBC.X

- Glass \_\_\_\_\_
- Emergency Button \_\_\_\_\_
- Start/Stop Button \_\_\_\_\_
- Signal Lamp \_\_\_\_\_
- Switch \_\_\_\_\_
- Potentiometer \_\_\_\_\_



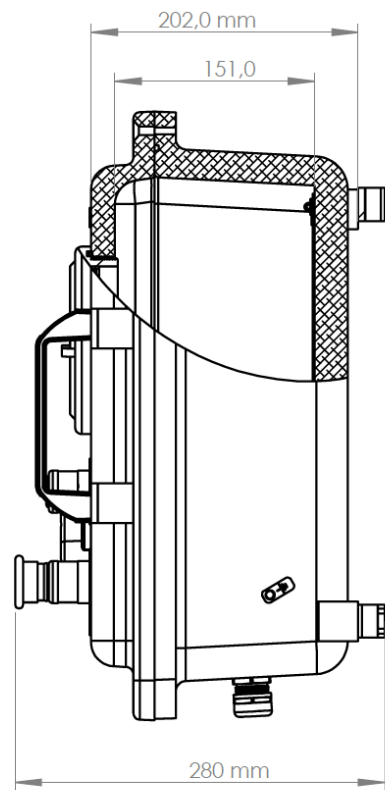
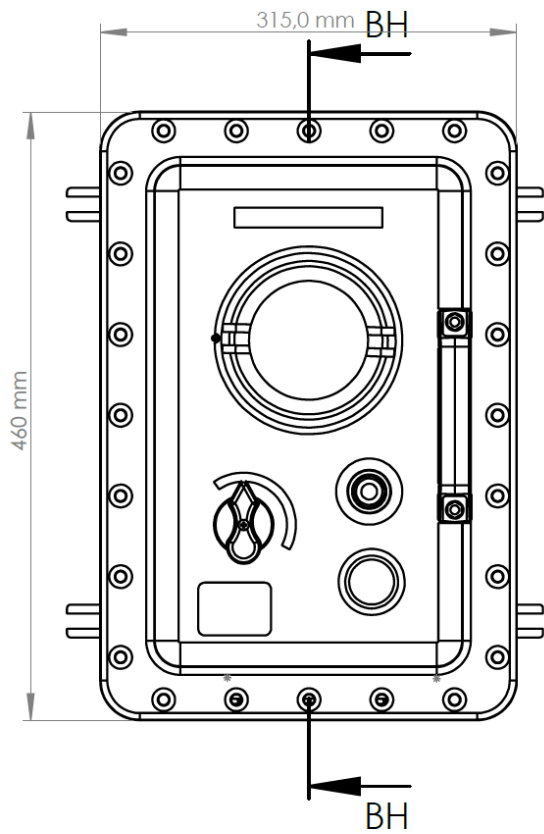
ZONE 1-2 / 21-22

IP 66

$-25\text{ }^{\circ}\text{C} < T_a < +55\text{ }^{\circ}\text{C}$

Product	Aluminium Body Junction Boxes
Certification	SCA 20 ATEX 068X
Marking	II 2G Ex db IIB T6 Gb II 2D Ex tb IIIC T85°C Db
IP	IP 66
Ambiant Temp.	-25 °C up to +55 °C
Standarts	EN60079-0: 2018; EN60079-1: 2014; EN60079-31: 2014
Cable Entries	Metal Cable Glands
Body	Low Cooper Aluminium Alloy
Gaskets	NBR o-ring on Body
Paint	Electrostatic Powder Coat
Rated Voltage	24-220V
Frequency	50/60 Hz
Application	Oil refineries, Chemical and petrochemical plants, Boiler rooms etc.

# DIMENSIONAL DRAWING



ZNBC.

- A- 90 mm glass
- B- 90 mm glass
- C- 160 mm glass

