

ZNG.F-X

Red
Yellow
Green

24V DC - 220VAC



ATEX

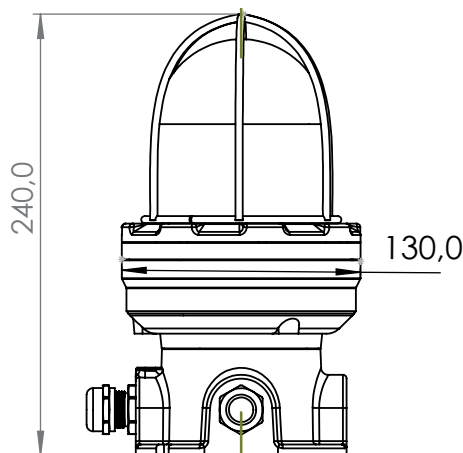


Product	Aluminium Body Globe Lamp
Certification	SCA 24 ATEX 256X
Marking	II 2G Ex db IIB+H2 T6 Gb II 2D Ex tb IIIC T80 °C Db
IP	IP 66
Ambiant Temp.	-20 °C up to +45 °C
Standarts	EN60079-0: 2018; EN60079-1: 2014; EN60079-31: 2014
Cable Entries	4 x 1/2"
Body	Low Cooper Aluminium Alloy
Difusser	Shock and high temperature tempered glass
Gaskets	Silicone oring on covers
Paint	Electrostatic Powder Coat
Circuit	E27 Lampholder, Led driver
Rated Voltage	220/240V
Frequency	47/63 Hz
Application	Oil refineries, Chemical and petrochemical plants, Boiler rooms etc.

ZONE 1-2 / 21-22

IP 66

$-20\text{ °C} < T_a < +45\text{ °C}$



ZNG.

R220/24 - RED/Voltage
Y220/24 - Yellow/Voltage
G220/24 - Green/Voltage

Type

F - Flash Caution