

ZNJP.X

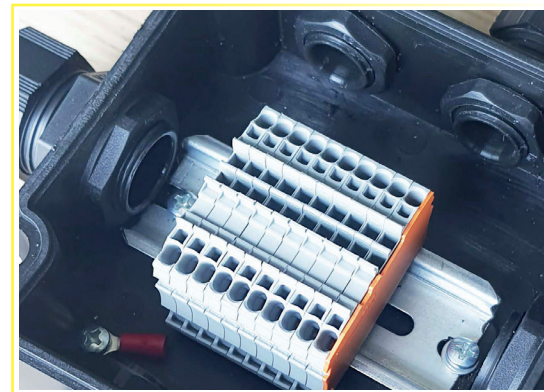


Product	GRP Junction Boxes
Certification	ATEX
Marking	II 2G Ex eb IICT6 Gb II 2D Ex tb IIIC Db
IP	IP 66
Ambiant Temp.	-25 °C up to +55 °C
Standarts	EN60079-0: 2018; EN60079-7: 2015; EN60079-31: 2014
Cable Entries	2-8, M20 or M25
Body	Glass Reinforced Polyamide
Gaskets	NBR o-ring on Body
Color	Black
Rated Voltage	Max. 500V
Rated current	12A-20A-25A-30A
Application	Oil refineries, Chemical and petrochemical plants, Boiler rooms etc.

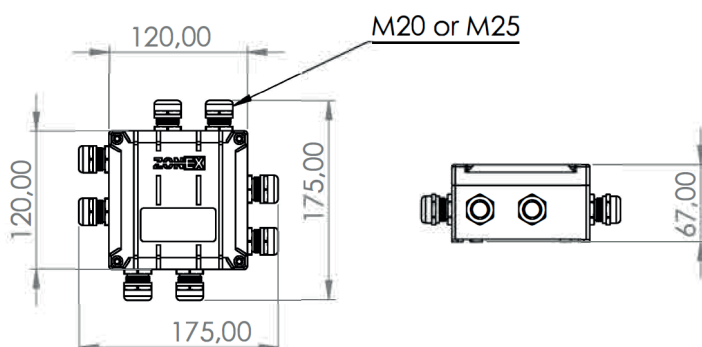
ZONE 1-2 / 21-22

IP 66

$-20\text{ °C} < T_a < +55\text{ °C}$



MAX. NUMBER OF TERMINALS and CURRENT			
Rated terminal section	1,5 mm ²	2,5 mm ²	4,5 mm ²
Max Current	12A	20A	25A
ZNJP.12X	10	7	7



ZNJP.120.

Gland Size
• M20, M25

Number of Gland
• 1, 2, 3 ... 7, 8.